

CETOP3 - NG6

315

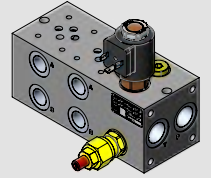
Type

Model

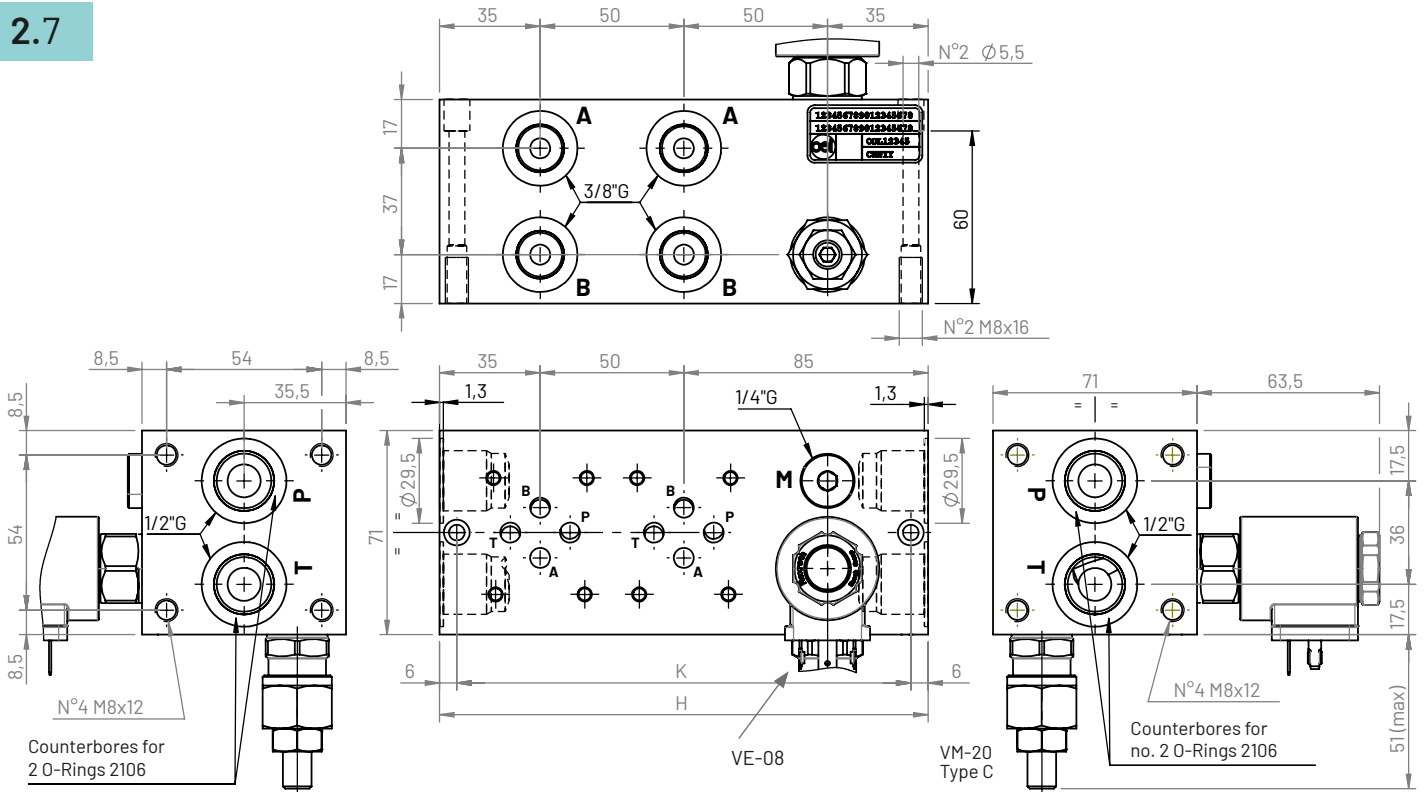
CMB315*-*-*3C-*C-***

Monoblock with 1/2"G P-T ports on both short sides, 3/8"G A-B ports on lateral side, **parallel/serial version**, with relief valve (VM-20) and solenoid valve (VE-08)

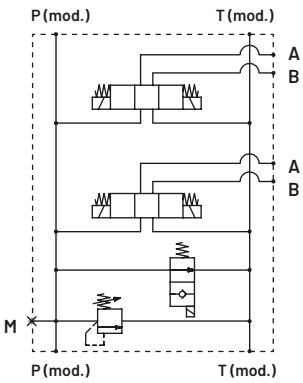
Modular compatibility only with 313 type



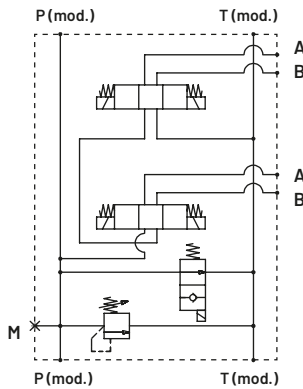
2.7



Parallel hydraulic circuit



Series hydraulic circuit (*)



Positions	H (mm)	K (mm)	Aluminum (kg)	Cast iron (kg)
1	120	108	1,6	3,9
2 (*)	170	158	2,3	5,6
3 (*)	220	208	2,9	7,2
4 (*)	270	258	3,6	8,8
5	320	308	4,2	10,4
6	370	358	4,8	12,1
7	420	408	5,5	13,7
8	470	458	6,1	15,3

VE-08 type (omit with L-T present)

- A (normally open)
- C (normally closed)

Coil type (omit with L-T present):

- A (without coil)
- B (with coil 12Vdc)
- C (with coil 24Vdc)

Cavity VE-08 :

- V (included) technical info → p. 8.1
- L (with cavity open)
- T (with cavity plugged)

Adjustment (omit with L-T present):

- C (with screw)

Spring set (omit with L-T present):

- W: 5-50 bar X: 30-100 bar
- Y: 50-210 bar Z: 100-350 bar

Cavity VM-20:

- V (included) technical info → p. 7.1
- L (with cavity open)
- T (with cavity plugged)

Ports position: C (lateral side)

Ports size:

- 3 (P-T: 1/2G - A-B: 3/8G)

Ordering code

CMB 3 15 * - * * - 3 C - * * C - * * *

Monoblock: CMB

Flange CETOP 3

Configuration type: 15

Material:

G (Phosphated cast iron GJL250)

A (aluminum EN AW-6026 LF without anodization)

B (aluminum EN AW-6026 LF with neutral anodization)

Other materials on demand

Connections:

P (parallel)

S (series)

Positions:

1, 2, 3, ..., 8 (for parallel circuit)

2, 3, 4 (for series circuit) (*)

