

Monoblock with 1/2"G ports on both short sides, 3/8"G A-B ports on lateral side, **serial/parallel version**, with/without relief valve (VM)
Modular compatibility only with 312-315 type

CETOP3 - NG6

Type

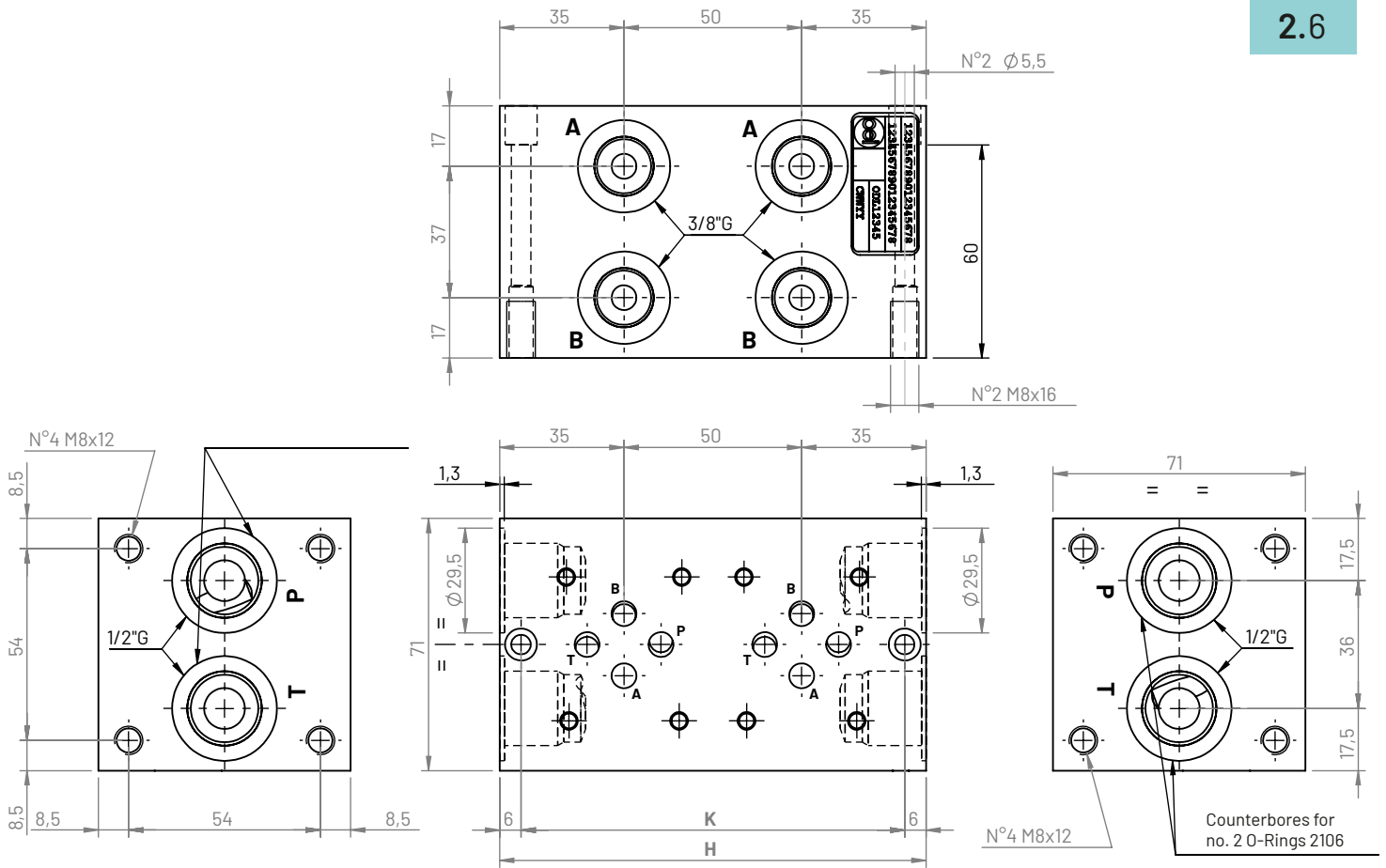
313

Model

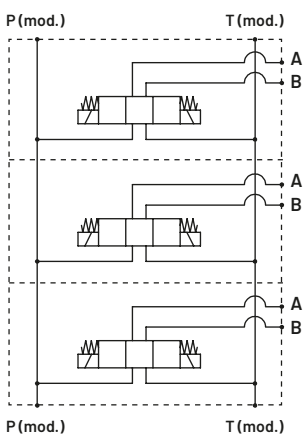
CMB313*-**-3C

MONOBLOCK

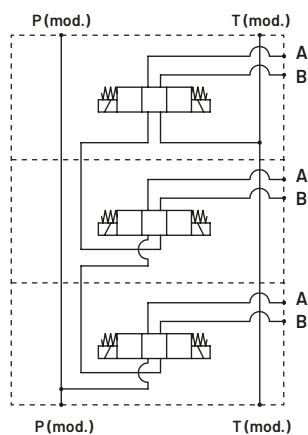
2.6



Parallel hydraulic circuit



Series hydraulic circuit (*)



Positions	H (mm)	K (mm)	Aluminum (kg)	Cast iron (kg)
1	70	58	1,6	3,8
2 (*)	120	108	2,2	5,6
3 (*)	170	158	2,9	7,2
4 (*)	220	208	3,5	8,8
5	270	258	4,2	10,5
6	320	308	4,9	12,2
7	370	358	5,5	13,9
8	420	408	6,2	15,6

Ordering code

CMB 3 13 * - * * - 3 C

Monoblock: **CMB**

Flange CETOP **3**

Configuration type: **13**

Material:

G (Phosphated cast iron GJL250)

A (aluminum EN AW-6026 LF without anodization)

B (aluminum EN AW-6026 LF with neutral anodization)

Other materials on demand

Connections:

P (parallel)

S (series)

Positions:

1, 2, 3, ..., 8 (for parallel circuit)

2, 3, 4 (for series circuit) (*)

Ports size:

3 (P-T: 1/2G - A-B: 3/8G)

Ports position: **C** (lateral side)

