

CETOP3 - NG6

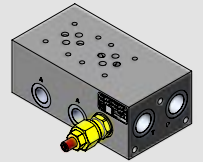
310

Type

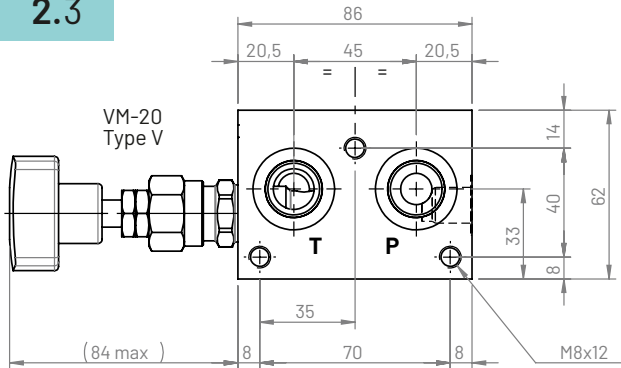
Model

CMB310*-S*-*A-***

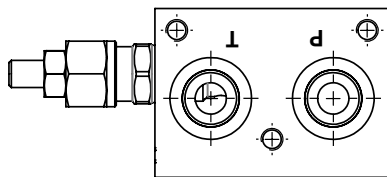
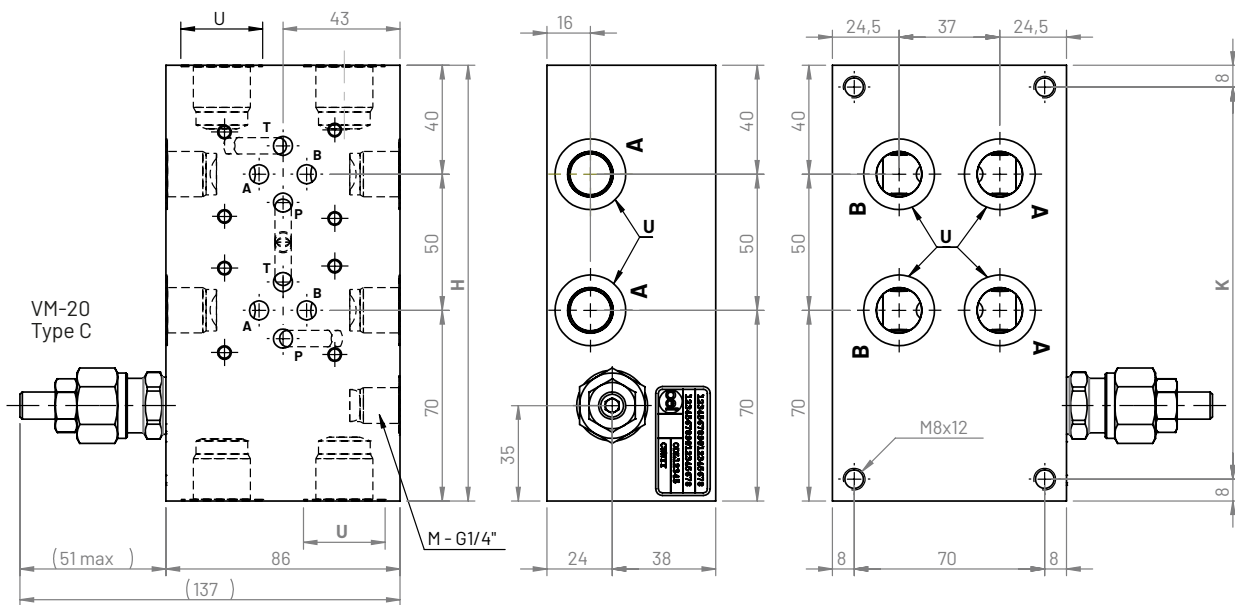
Monoblock with 1/4"G or 3/8"G A-B ports on back and long sides, 3/8"G or 1/2"G P-T ports on both short sides, **serial version**, with/without relief valve (VM-20)



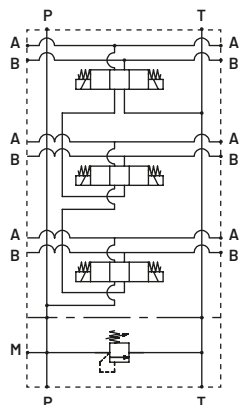
2.3



Positions	H (mm)	K (mm)	Aluminum (kg)	Cast iron (kg)
2	160	144	2,2	5,6
3	210	194	2,9	7,2
4	260	244	3,5	8,8



Hydraulic circuit



Ordering code

CMB 3 10 * - S * - * A - * * *

Monoblock: **CMB**

Flange CETOP **3**

Configuration type: **10**

Material:

G (Phosphated cast iron GJL250)

A (aluminum EN AW-6026 LF without anodization)

B (aluminum EN AW-6026 LF with neutral anodization)

Other materials on demand

Series circuit: **S**

Positions: **2, 3, 4**

Ports size:

1 (P-T: 3/8G - A-B: 1/4G): on demand

2 (P-T: 3/8G - A-B: 3/8G): on demand

3 (P-T: 1/2G - A-B: 3/8G): standard

Ports position: **A** (back and lateral side)

Cavity VM-20:

V (included) technical info → p. 7.1 **T** (with cavity plugged)

L (with cavity open)

N (without cavity)

Spring set (omit with L-T-N present):

W: 5-50 bar **X**: 30-100 bar

Y: 50-210 bar **Z**: 100-350 bar

Adjustment (omit with L-T-N present):

C (with screw)

V (with hand knob)