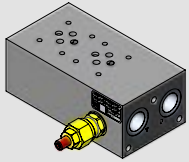


310

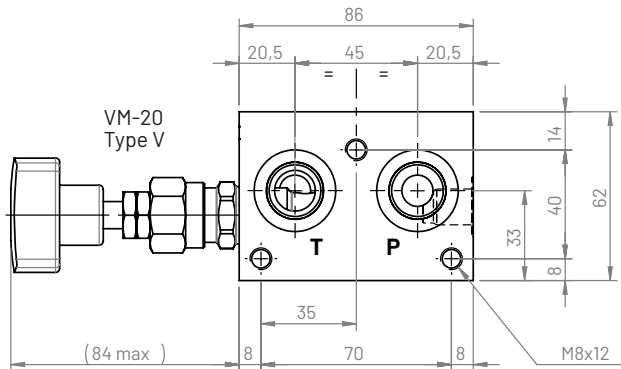
CMB310*-P*-*B-***



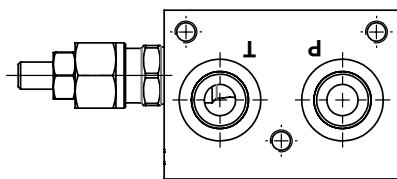
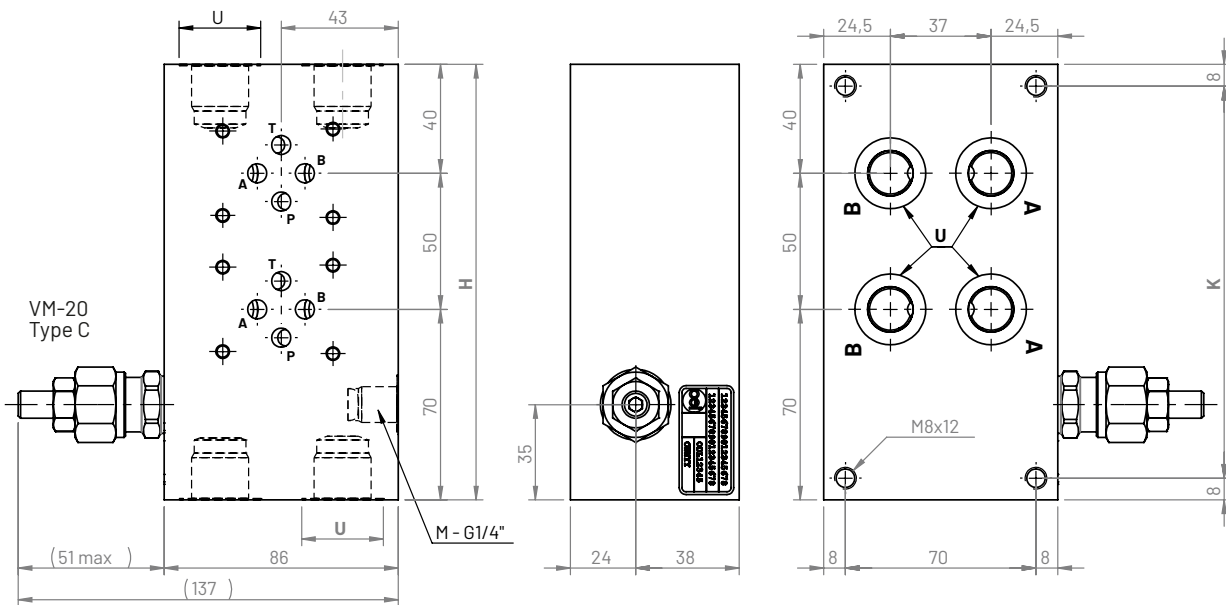
Monoblock with 3/8" G or 1/2" G B on back side and P-T ports on both short sides, parallel version, with/without relief valve (VM-20)

Type

Model



Positions	H (mm)	K (mm)	Aluminum (kg)	Cast iron (kg)
1	110	94	1,7	3,9
2 (*)	160	144	2,3	5,7
3 (*)	210	194	3	7,3
4 (*)	260	244	3,68	8,8
5 (*)	310	294	4,31	10,6
6	360	344	5	12,3
7	410	394	5,6	14
8	460	444	6,3	15,7



Ordering code

CMB 3 10 * - P * - * B - * * *

Monoblock: **CMB**

Flange CETOP **3**

Configuration type: **10**

Material:

G (Phosphated cast iron GJL250)

A (aluminum EN AW-6026 LF without anodization)

B (aluminum EN AW-6026 LF with neutral anodization)

Other materials on demand

Parallel circuit: **P**

Positions: **1, 2, 3, ..., 8**

Ports size:

2 (P-T: 3/8G - A-B: 3/8G): on demand

3 (P-T: 1/2G - A-B: 3/8G): standard

4 (P-T: 1/2G - A-B: 1/2G): on demand

Ports position: **B** (back side)

Cavity VM-20:

V (included) technical info → p. 7.1 **T** (with cavity plugged)

L (with cavity open)

N (without cavity) (*) only for 2-3-4-5 positions

Spring set (omit with L-T-N present):

W: 5-50 bar **X**: 30-100 bar

Y: 50-210 bar **Z**: 100-350 bar

Adjustment (omit with L-T-N present):

C (with screw)

V (with hand knob)

Hydraulic circuit

