

CETOP3 - NG6

335

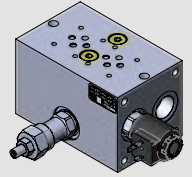
Type

Model

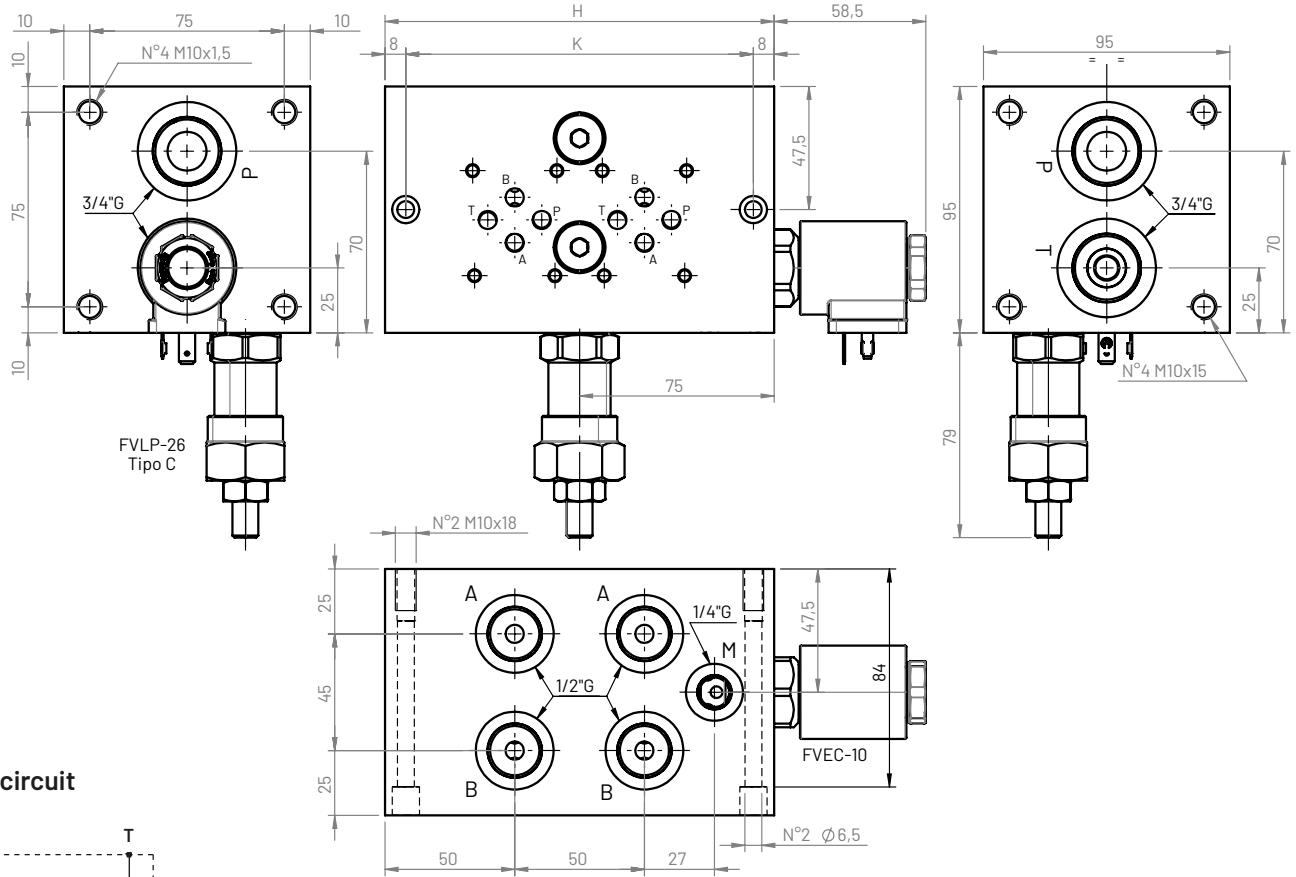
MB335*-P*-5C-**C-***

Monoblock with P-T 3/4"G ports on both short sides and A-B 1/2"G ports on lateral side.

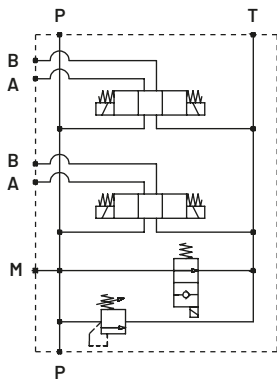
Parallel version, with relief valve (FVLP-26) and solenoid valve (FVEC-10)



2.15



Hydraulic circuit



Positions	H (mm)	K (mm)	Aluminum (kg)	Cast iron (kg)
2	150	134	4,2	9,9
3	200	184	5,4	13,3
4	250	234	6,6	16,6
5	300	284	7,8	19,9
6	350	334	9	23,3

Ordering code

CMB 3 35 * - P * - 5 C - * * C - * * *

Monoblock: **CMB**

Flange CETOP **3**

Configuration type: **35**

Material:

G (Phosphated cast iron GJL250)

A (aluminum EN AW-6026 LF without anodization)

B (aluminum EN AW-6026 LF with neutral anodization)

Other materials on demand

Connections:

P (parallel)

Positions: **2, 3, ..., 6**

FVEC-10 type (omit with L-T present)

A (normally open)

C (normally closed)

Coil type

(omit with L-T present):

A (without coil)

B (with coil 12Vdc)

C (with coil 24Vdc)

FVEC-10 cavity:

V (included) info tecnica → p. 8.2

L (with cavity open)

T (with cavity plugged)

Adjustment (omit with L-T present):

C (with screw)

Spring set (omit with L-T present):

W: 5-50 bar **X**: 30-100 bar

J: 80-250 bar **K**: 140-350 bar

Cavity FVLP-26:

V (included) info tecnica → p. 7.2

L (with cavity open)

T (with cavity plugged)

Ports position: **C** (lateral side)

Ports size U:

5 (P-T: 3/4G - A-B: 1/2G)