

Monoblock with P-T 3/4"G ports on both short sides and A-B 1/2"G ports on lateral side and 1/4"G pressure gauge connections on A-B.
Parallel version, without relief valve

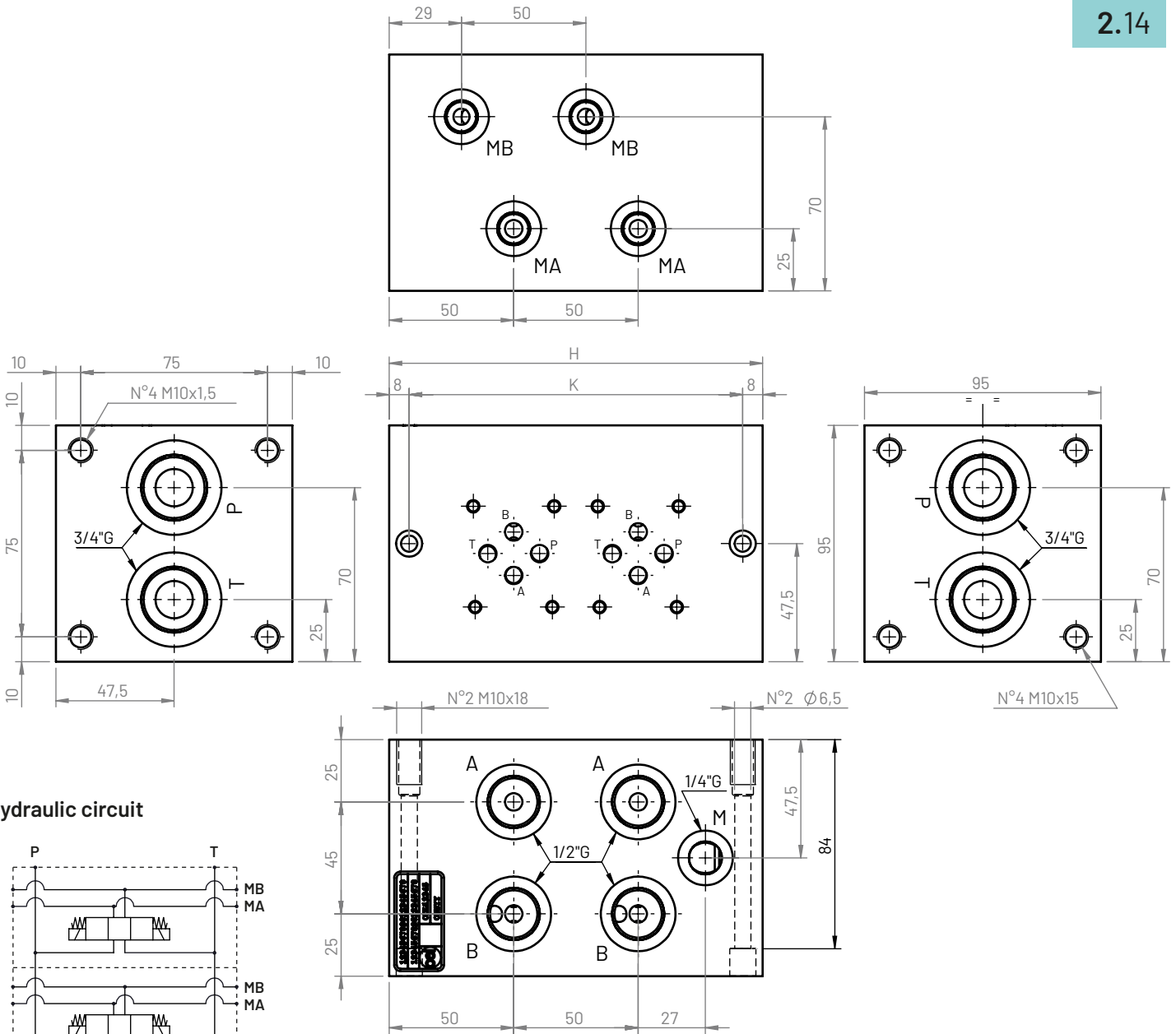
Type
 Model

CETOP3 - NG6

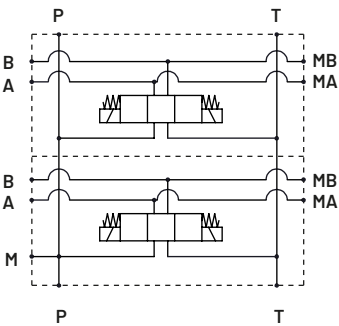
334
 CMB334*-P*-5C

MONOBLOCK

2.14



Hydraulic circuit



Ordering code

CMB 3 34 * - P * - 5 C

Monoblock: **CMB**

Flange CETOP **3**

Configuration type: **34**

Material:

G (Phosphated cast iron GJL250)

A (aluminum EN AW-6026 LF without anodization)



B (aluminum EN AW-6026 LF with neutral anodization)

Other materials on demand

Connections: **P** (parallel)

Positions: **1, 2, 3, ..., 6**

Ports size:

5 (P-T:3/4G - A-B:1/2G)

Ports position: **C** (lateral side)

Positions	H (mm)	K (mm)	Aluminum (kg)	Cast iron (kg)
1	100	84	2,2	6,1
2	150	134	3,4	9,5
3	200	184	4,6	12,9
4	250	234	5,8	16,2
5	300	284	7	19,5
6	350	334	8,2	22,9

