

Monoblock with P-T 3/4"G ports on both short sides and A-B 1/2"G ports on lateral side.  
**Parallel version**, with relief valve (VM-26)

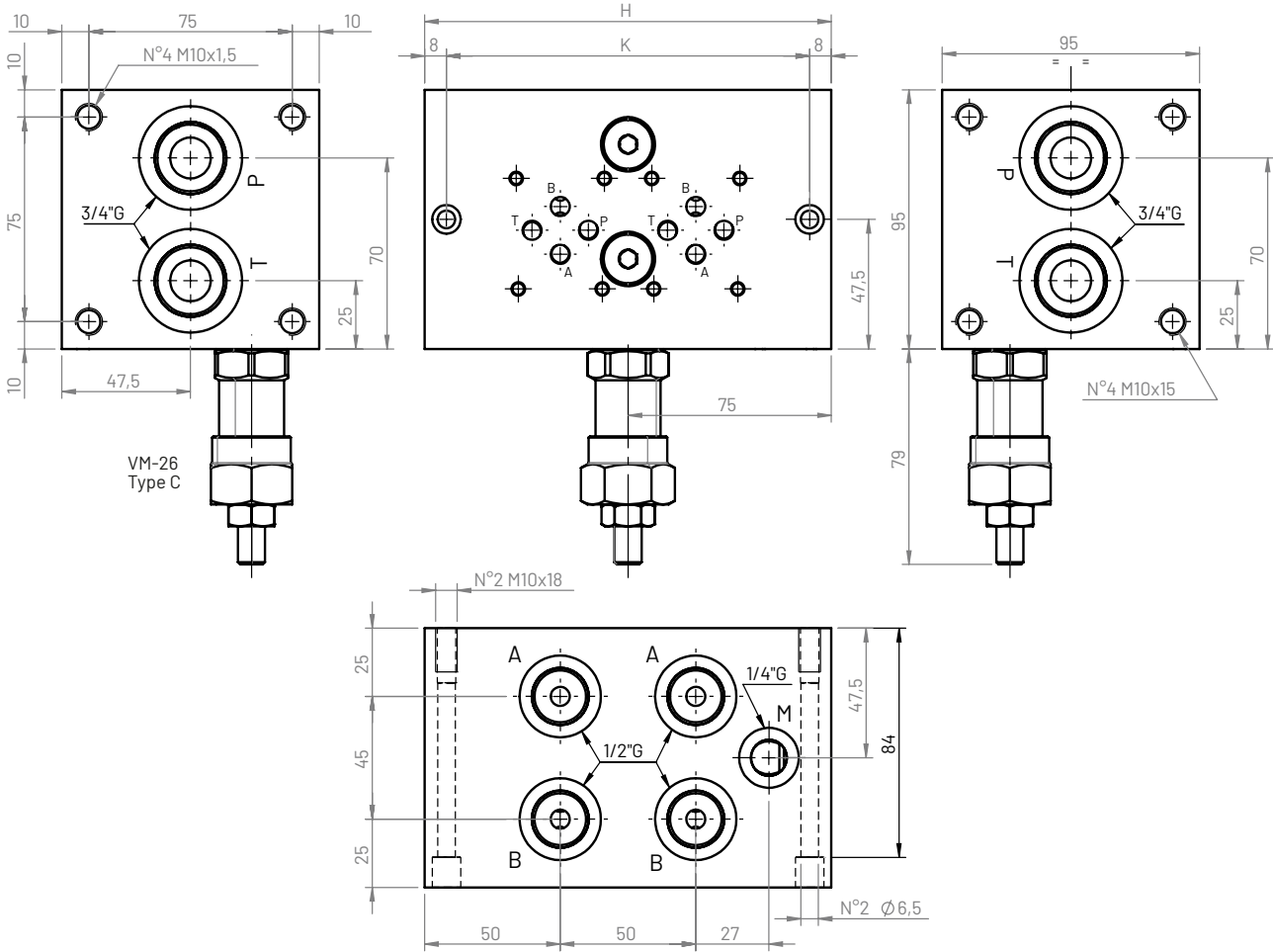
Type  
 Model

CETOP3 - NG6

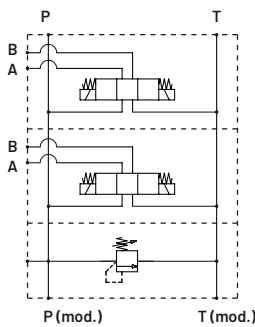
332  
 CMB332\*-P\*-5C-\*\*-\*\*C

MONOBLOCK

2.12



Hydraulic circuit



Positions	H (mm)	K (mm)	Aluminum (kg)	Cast iron (kg)
2	150	134	3,7	9,4
3	200	184	4,9	12,8
4	250	234	6,1	16,1
5	300	284	7,3	19,4
6	350	334	8,5	22,8

Ordering code

**CMB 3 32 \* - P \* - 5 C - \* \* C**

Monoblock: **CMB**

Flange CETOP **3**

Configuration type: **32**

Material:

**G** (Phosphated cast iron GJL250)

**A** (aluminum EN AW-6026 LF without anodization)

**B** (aluminum EN AW-6026 LF with neutral anodization)

**Other materials on demand**

Connections: **P** (parallel)

Positions: **2, 3, ..., 6**

Ports size:

**5** (P-T:3/4G - A-B:1/2G)

Ports position: **C** (lateral side)

Cavity VM-26:

**V** (included) technical info on → p. 7.2

**L** (with cavity open)

**T** (with cavity plugged)

Tipo molla (omessa se presenza L-T-N):

**W**: 5-50 bar **X**: 30-100 bar

**J**: 80-250 bar **K**: 140-350 bar

Regolazione (omessa se presenza L-T):

**C** (a chiave)