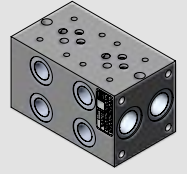


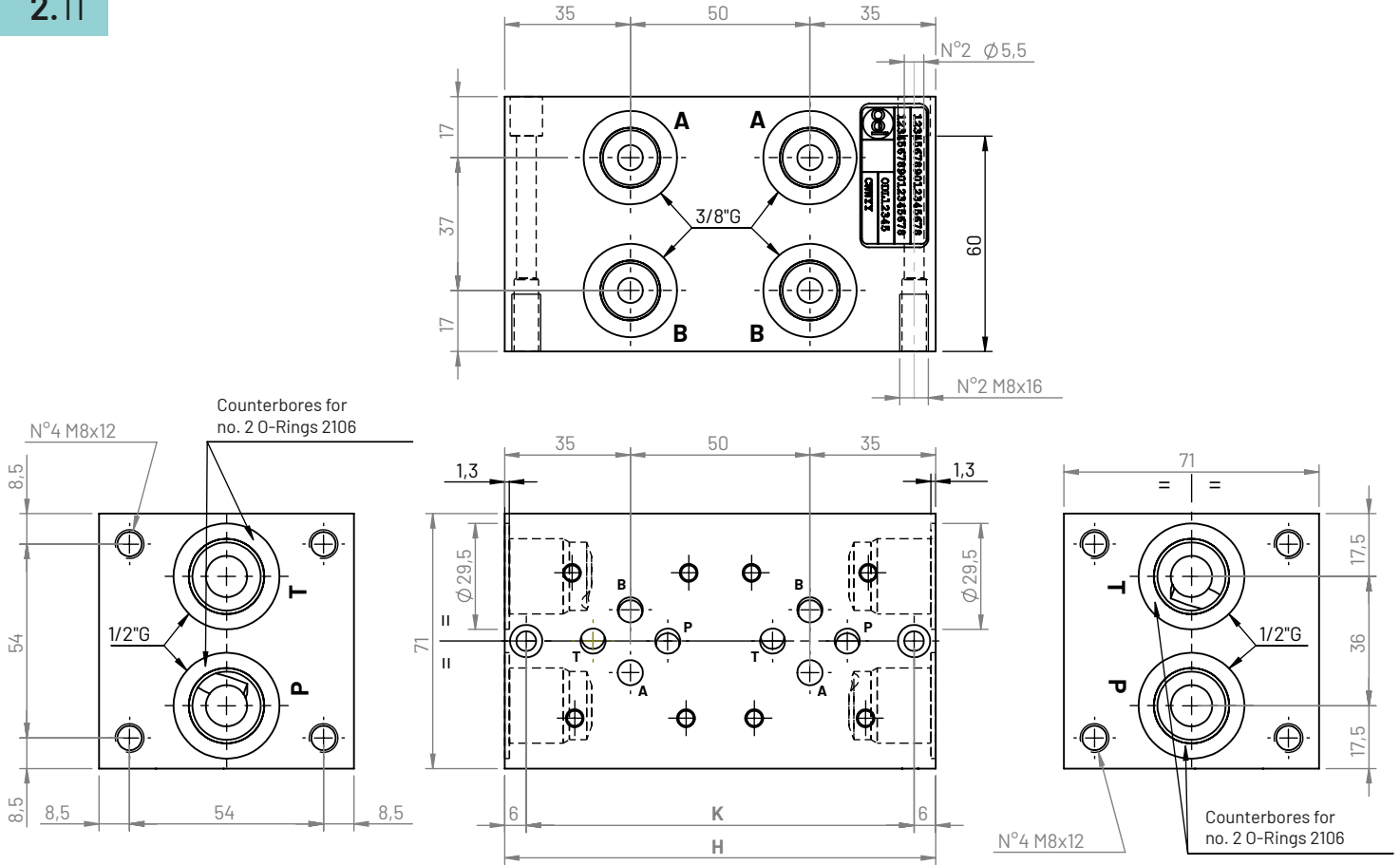
Monoblock with 1/2"G P-T ports (reversed) on short sides, 3/8"G port on long side.

Parallel version, without relief valve (VM)

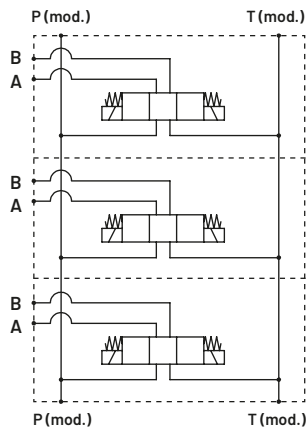
Modular compatibility **only** with 322 type



2.11



Hydraulic circuit



Ordering code

CMB 3 23 * - P * - 3 C

Monoblock: **CMB**

Flange CETOP **3**

Configuration type: **23**

Material:

G (Phosphated cast iron GJL250)

A (aluminum EN AW-6026 LF without anodization)

B (aluminum EN AW-6026 LF with neutral anodization)

Other materials on demand

Parallel circuit: **P** (parallel)

Positions: **1, 2, 3, ..., 8** (for parallel circuit)

Ports size:

3 (P-T: 1/2G - A-B: 3/8G)

Ports position: **C** (lateral side)

Positions	H (mm)	K (mm)	Aluminum (kg)	Cast iron (kg)
1	70	58	1,6	3,8
2	120	108	2,2	5,6
3	170	158	2,9	7,2
4	220	208	3,5	8,8
5	270	258	4,2	10,5
6	320	308	4,9	12,2
7	370	358	5,5	13,9
8	420	408	6,2	15,6