

Monoblock with 1/2"G P-T ports (reversed) on both short sides, 3/8"G A-B ports on long side, **parallel version**, with relief valve (VM-20) opposite to A-B ports
Modular compatibility only with 323 type}

Modello
 Tipo

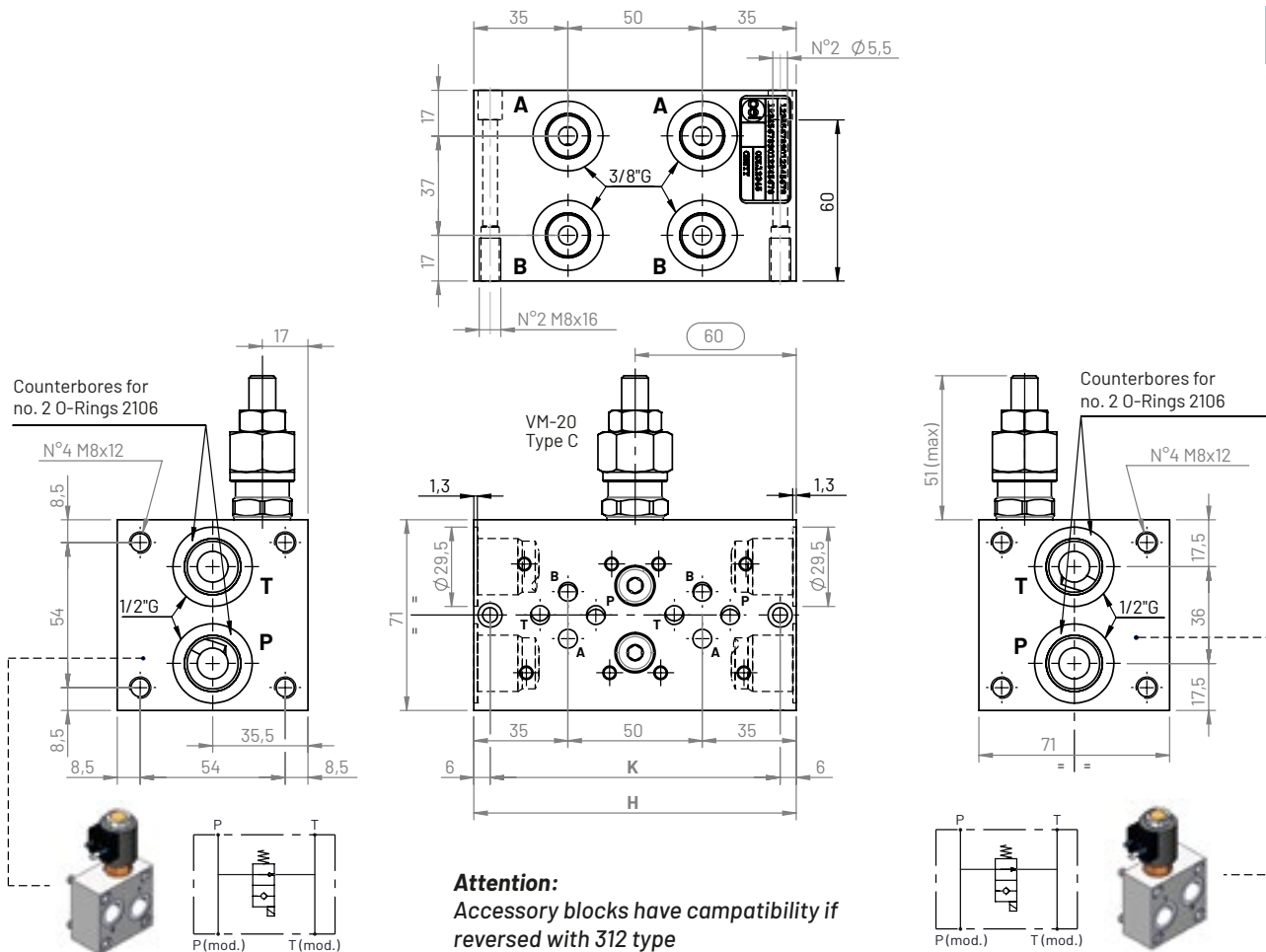
CETOP3 - NG6

322

CMB322*-P*-3C-**C

MONOBLOCK

2.10

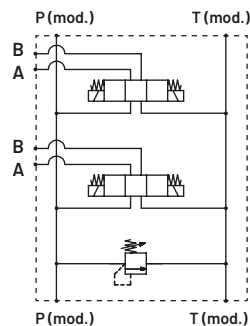


Attention:
 Accessory blocks have compatibility if reversed with 312 type

CBA350*_*-S**
 Accessory block (see p. 3.2)

CBA350*_*-D**
 Accessory block (see p. 3.1)

Hydraulic circuit



Ordering code

CMB 3 22 * - P * - 3 C - * * C

Monoblock: **CMB**

Flange **CETOP 3**

Configuration type: **22**

Material:

G (Phosphated cast iron GJL250)

A (aluminum EN AW-6026 LF without anodization)

B (aluminum EN AW-6026 LF with neutral anodization)

Other materials on demand

Connection: **P** (parallel)

Positions: **2, 3, ..., 8**

Ports size:

3 (P-T: 1/2G - A-B: 3/8G)

Ports position: **C** (lateral side)

Cavity VM-20:

V (included) technical info → p. 7.1 **T** (with cavity plugged)

L (with cavity open) **N** (without cavity)

Spring set (omit with L-T-N present):

W: 5-50 bar **X**: 30-100 bar

Y: 50-210 bar **Z**: 100-350 bar

Adjustment (omit with L-T present):

C (with screw)

Positions	H (mm)	K (mm)	Aluminum (kg)	Cast iron (kg)
2	120	108	1,4	3,6
3	170	158	2,1	5,3
4	220	208	2,7	6,9
5	270	258	3,3	8,5
6	320	308	4	10,2
7	370	358	4,6	11,8
8	420	408	5,2	13,5

