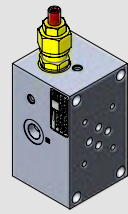


Type

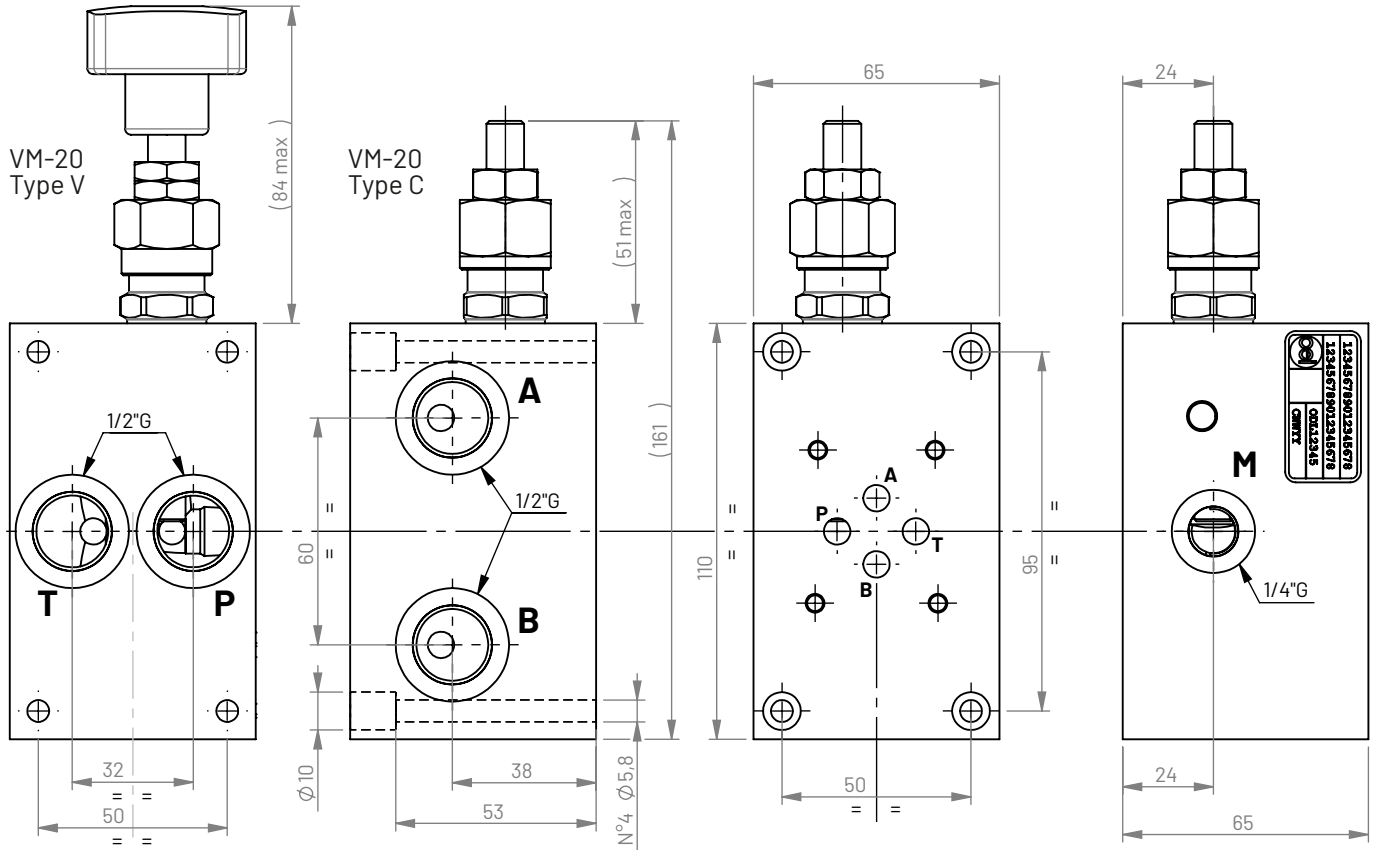
Model

CBS305*-4A-***

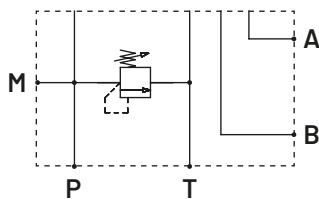
Single subplate with 1/2"G A-B ports on long side and P-T ports on back side with/without relief valve (VM-20)



1.9



Hydraulic circuit



Weight

Aluminum (kg)	Cast iron (kg)
1,3	3,1

Ordering code

CBS 3 05 * - 4 A - * * *

Single subplate: **CBS**

Flange CETOP: **3**

Configuration type: **05**

Material:

G (Phosphated cast iron GJL250)

A (aluminum EN AW-6026 LF without anodization)

B (aluminum EN AW-6026 LF with neutral anodization)

Other materials on demand

Ports size:

4 (P-T: 1/2G - A-B: 1/2G)

Ports position: **A** (lateral side)

Adjustment (omit with VM is not present):

C (with screw)

V (with hand knob)

Spring set (omit with L-T present):

W: 5-50 bar

X: 30-100 bar

Y: 50-210 bar

Z: 100-350 bar

Cavity VM-20:

V (included) → technical info on p. 7.1

L (with cavity open)

T (with cavity plugged)