

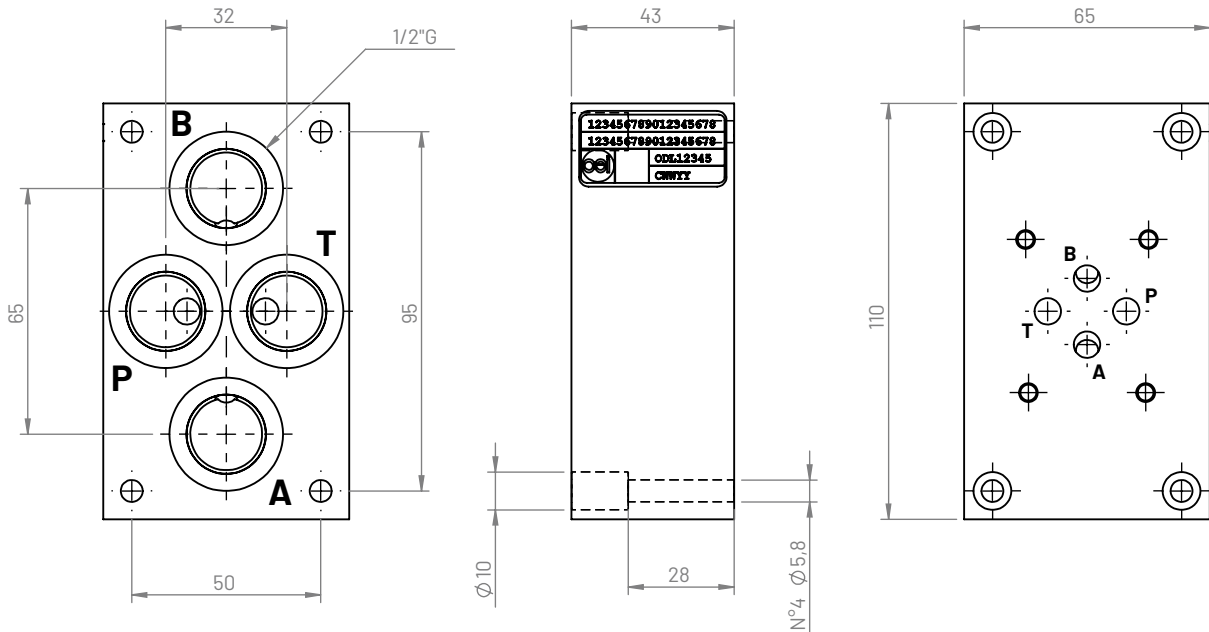


Type
Model

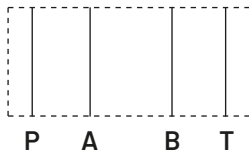
302
CBS302*-4B

Single subplates with 1/2"G
P-T-A-B ports on back side

1.3



Hydraulic circuit



Weight

Aluminum (kg)	Cast iron (kg)
0,75	1,9

Ordering code

CBS 3 02 * - 4 B

Single subplate: **CBS**

Flange CETOP: **3**

Configuration type: **02**

Material:

G (Phosphated cast iron GJL250)

A (aluminum EN AW-6026 LF without anodization)

B (aluminum EN AW-6026 LF with neutral anodization)

Other materials on demand

Ports size:

4 (P-T-A-B: 1/2G)

Ports position: **B** (back side)