



Single subplate with 1/4"G
P-T-A-B ports on back side

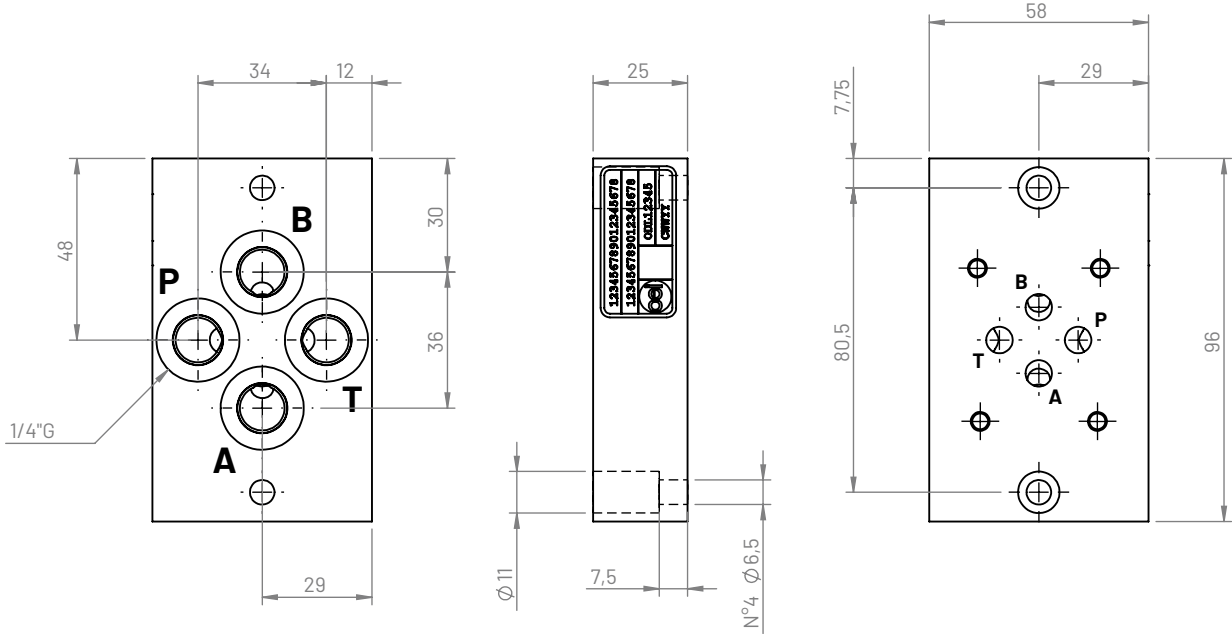
Type
Model

CETOP3 - NG6

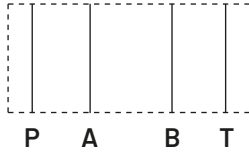
301
CBS301*-0B

SINGLE
SUBPLATE

1.2



Hydraulic circuit



Weight

Aluminum (kg)	Cast iron (kg)
0,35	0,9

Ordering code

CBS 3 01 * - 0 B

Single subplate: **CBS**

Flange CETOP: **3**

Configuration type: **01**

Material:

G (Phosphated cast iron GJL250)

A (aluminum EN AW-6026 LF without anodization)

B (aluminum EN AW-6026 LF with neutral anodization)

Other materials on demand

Ports size:

0 (P-T-A-B: 1/4G)

Ports position: **B** (back side)