

# CETOP3 - NG6

## 300

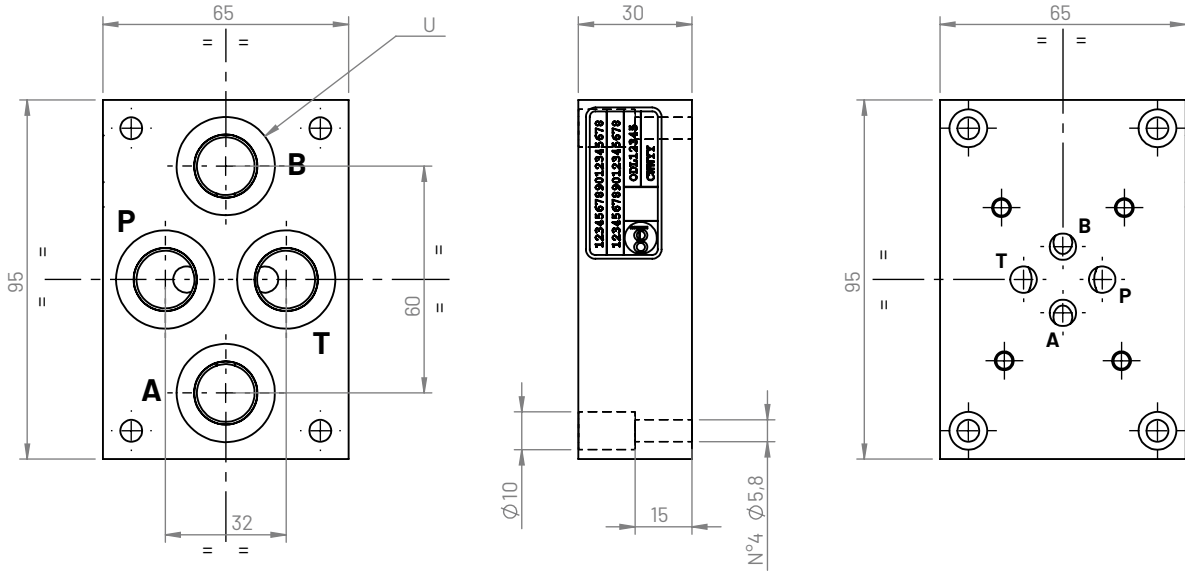
Model CBS300\*-\*B

Type  
Model

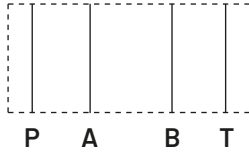
Single subplate with 1/4"G or 3/8"G  
P-T-A-B ports on back side



### 1.1



#### Hydraulic circuit



#### Weight

Aluminum (kg)	Cast iron (kg)
0,45	1,15

#### Ordering code

**CBS 3 00 \* - \* B**

Single subplate: **CBS**

Flange CETOP: **3**

Configuration type: **00**

Material:

**G** (Phosphated cast iron GJL250)

**A** (aluminum EN AW-6026 LF without anodization)

**B** (aluminum EN AW-6026 LF with neutral anodization)

**Other materials on demand**

Ports size:

**0** (P-T-A-B: 1/4G)

**2** (P-T-A-B: 3/8G)

Ports position: **B** (back side)