

End plate P-T-A-B

# CETOP3 - NG6

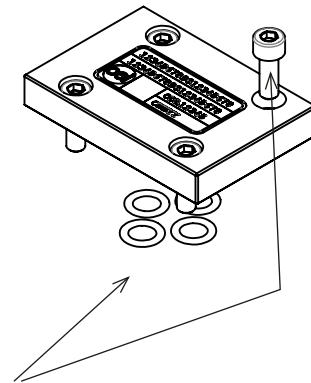
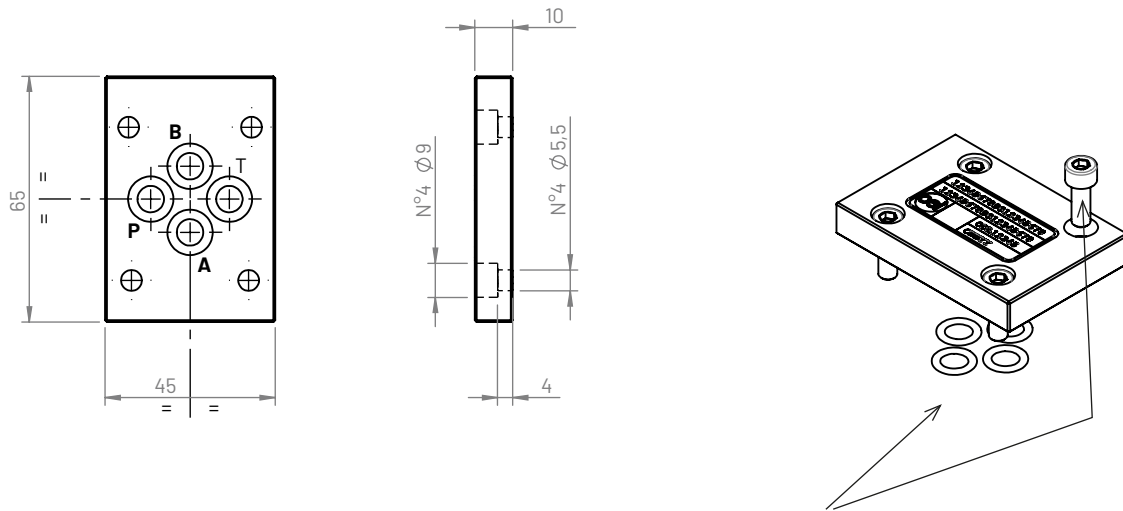
Type  
Model

# 306

CBS306\*

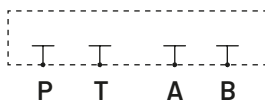
SINGLE  
SUBPLATE

1. 10



End plate includes:  
 - no. 4 screws M5x14 UNI5931  
 - no. 4 O-Rings 108 (8,73x1,78) NBR90

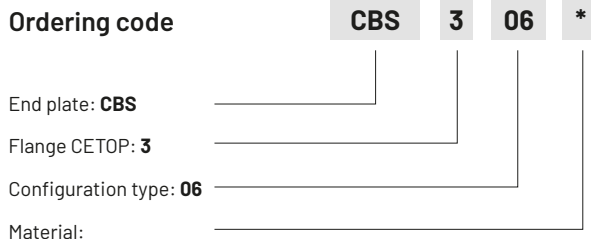
### Hydraulic circuit



### Weight

Aluminum (kg)	Cast iron (kg)
0,08	0,21

### Ordering code



Material:

**G** (Phosphated cast iron GJL250)

**A** (aluminum EN AW-6026 LF without anodization)

**B** (aluminum EN AW-6026 LF with neutral anodization)

**Other materials on demand**

